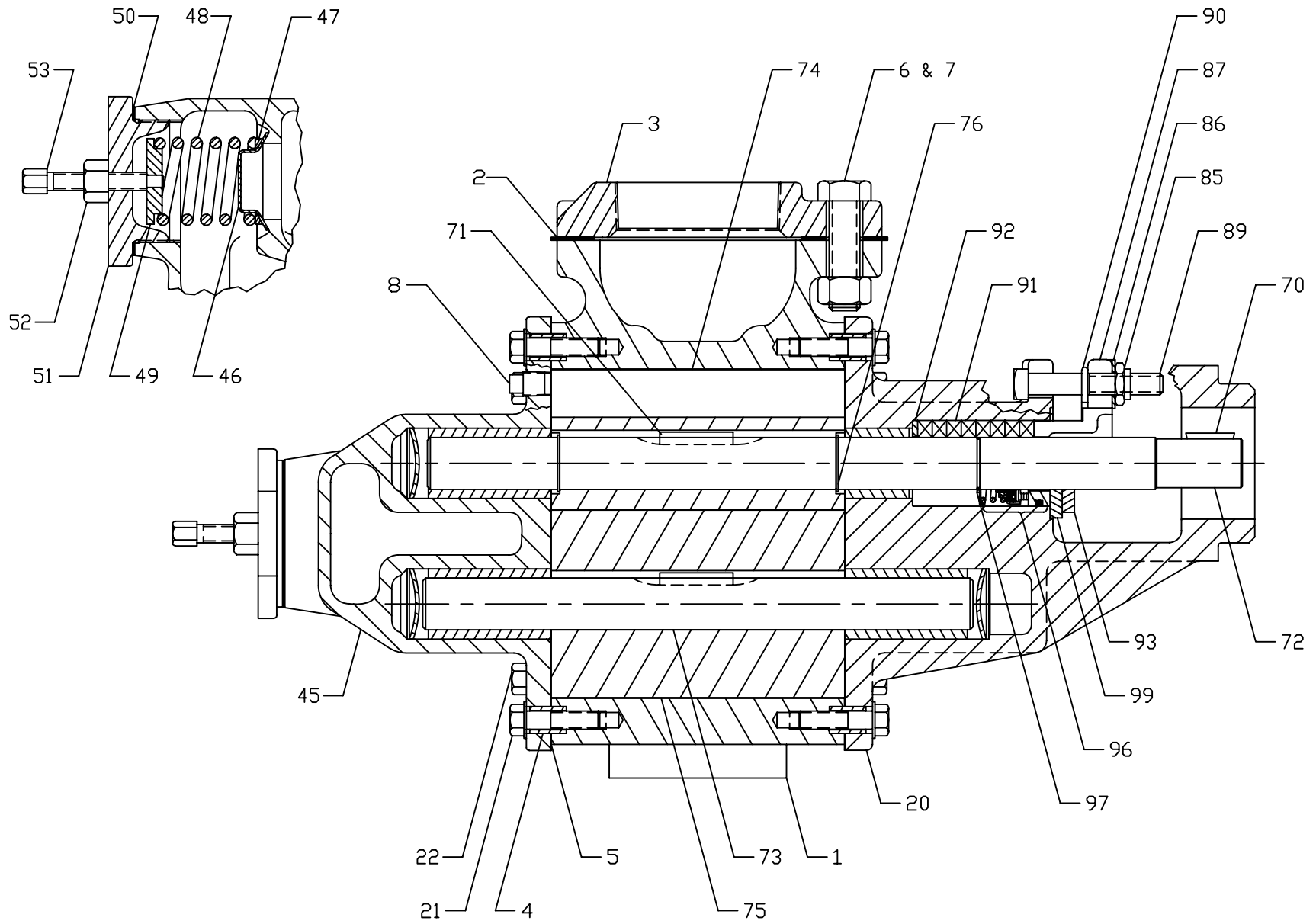


ROPER 3611 Thru 4722 BH,F,RV PUMP FOR HYDRAULIC DRIVE LESS HYDRAULIC BRACKET



3611-4722 BH,F,RV

3611-4722 BH,F,RV Hydraulic Driven Pump

KEY NO.	DESCRIPTION	3611-4711		3617-4717		3622-4722	
		QTY	PART NO.	QTY	PART NO.	QTY	PART NO.
1	Case (36xx-37xx BH)	1	P1-178	1	P1-177	1	N/A
	Case (36xx-37xx BHF)	1	P1-401	1	P1-402	1	P1-175
	Case (46xx-47xx BHF)	1	P1-170	1	P1-181	1	P1-171
2	Gasket, Flange	2	D11-333	2	D11-332	2	D11-90
3	Flange (36xx-37xx)	2	P23-30	2	P23-12	2	P23-10
	Flange (46xx-47xx)	2	P23-30	2	P23-35	2	P23-19
4	Dowel Pin	4	D48-34	4	D48-34	4	D48-34
5	Case Gasket	2	D11-338	2	D11-338	2	D11-338
6	Hex Hd Cap Screw	8	G49-050150	8	G49-050125	8	G49-062225
7	Nut, Flange		N/A		N/A	8	G44-062
8	Pipe Plug	2	G56-12	2	G56-12	2	G56-12
20	Backplate Assy, Brz Brgs	1	N2-1312	1	N2-1312	1	N2-1312
21	Washer Hd Cap Screw	4	G49-24	4	G49-24	4	G49-24
22	Hex Hd Cap Screw	16	G49-037100	16	G49-037100	16	G49-037100
45	Faceplate Assy, Plain, Brz Brgs	1	N3-177	1	N3-177	1	N3-177
	Faceplate Assy, RV, Brz Brgs	1	N3-200	1	N3-200	1	N3-200
46	Poppet	1	D16-16	1	D16-16	1	D16-16
47	Adapter	1	G8-281	1	G8-281	1	G8-281
48	Spring, Std Press	1	G10-355	1	G10-355	1	G10-355
	Spring, High Press	1	G10-375	1	G10-375	1	G10-375
49	Spring Guide	1	D8-348	1	D8-348	1	D8-348
50	Gasket, RV Cap	1	D828-41	1	D828-41	1	D828-41
51	RV Cap	1	P17-110	1	P17-110	1	P17-110
52	Nut, Lock & Seal	1	G43-18	1	G43-18	1	G43-18
53	Adjusting Screw	1	G62-44	1	G62-44	1	G62-44
70	Key, Drive	1	D30-32	1	D30-32	1	D30-32
71	Key, Gear	2	D30-9	2	D30-9	2	D30-9
72	Drive Shaft	1	D1-2424	1	D1-2425	1	D1-2426
73	Idler Shaft	1	D1-1098	1	D1-1100	1	D1-1077
74	Gear, LH	1	P6-418	1	P6-414	1	P6-430
75	Gear, RH	1	P6-275	1	P6-273	1	P6-277
76	Ret Ring	2	G41-108	2	G41-108	2	G41-108
85	Locknut	2	D441-755	2	D441-755	2	D441-755
86	Pkg Gland Clip	2	D42-1	2	D42-1	2	D42-1
87	Pkg Gland	1	P10-178	1	P10-178	1	P10-178
89	Sq Hd Bolt, Pkg	2	G67-043250	2	G67-043250	2	G67-043250
	Sq Hd Bolt, Mech Seal	2	G67-043125	2	G67-043125	2	G67-043125
90	Spring Clip	1	D42-2	1	D42-2	1	D42-2
91	Pkg Set	1	N43-1	1	N43-1	1	N43-1
92	Pkg Washer	1	G8-246	1	G8-246	1	G8-246
93	Seal Retainer	1	D23-252	1	D23-252	1	D23-252
96	Mech Seal, Complete	1	G4-101	1	G4-101	1	G4-101
97	Ret Ring	1	G41-76	1	G41-76	1	G41-76
99	Seal Locator Ring	1	D8-443	1	D8-443	1	D8-443

Backplate Assy includes Brz Brgs: (1) G5-257 and (1) G5-258

Faceplate Assy includes Brz Brgs: (2) G5-257

Hydraulic Adapter Bracket - Complete --	SAE A 4 Bolt; 1.00" Shaft	N47-49
Iron Bracket Only --	SAE A 2 Bolt	P22-165-18
Shaft Coupling Only --	For 1.00" Motor Shaft	D31-192
Retaining Ring Only --	For Shaft Coupling	G41-254
Soc Hd. Capscrew Only (4 Req) --	Bracket Mounting	G45-037250

With bracket assembly on pump, pump model becomes MBH-----

Tank Truck Service & Sales, Warren, Michigan 800-482-2678 www.tanktruckservice.com